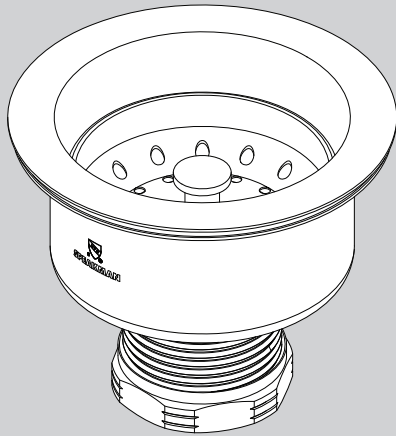


## INSTRUCTIONS FOR MODELS

# S-3471



## TOOLS AND SUPPLIES

Adjustable  
Wrench



Pipe  
Wrench



Slip Joint  
Wrench



Plumber's  
Putty



### IMPORTANT



- Do not over-tighten any connections or damage may occur.
- Be sure to read instructions thoroughly before beginning installation.

### SAFETY TIPS



Cover your drain to prevent loss of parts. Be sure to wear eye protection while cutting pipe.

### MAINTENANCE



Your new Speakman Product is designed for years of trouble-free performance. Keep it looking new by cleaning it periodically with a soft cloth. The use of harsh chemicals and abrasives on any of the Speakman custom finish products may damage the finish and void the product warranty. Please be sure to only use approved cleaners. Please contact Speakman for any clarification of acceptable cleaners.

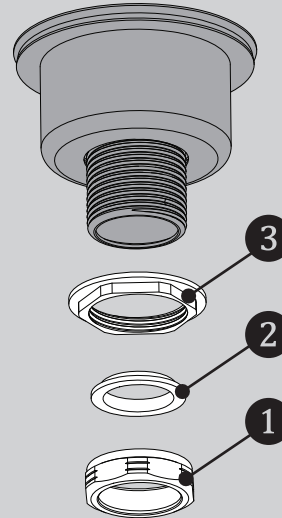
### WARRANTY



Warranty information can be found at:  
[www.speakman.com](http://www.speakman.com)

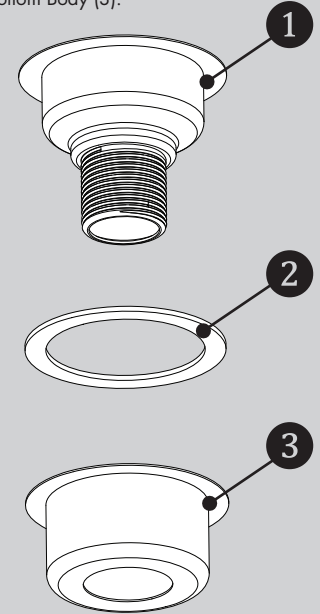
## 1

Disassemble the Sink Strainer by removing the Bottom Slip Joint Nut (1), Rubber Sealing Gasket (2), and Lock Nut (3).



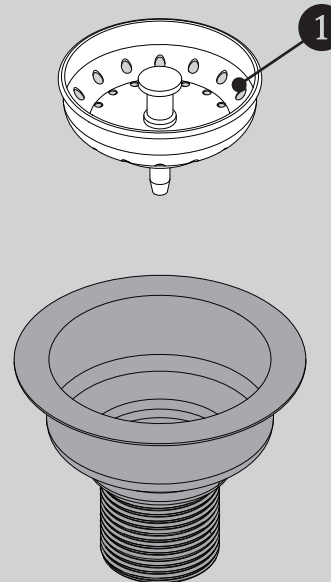
## 2

Separate the Top Body (1) and Gasket (2) from the Bottom Body (3).



## 3

Remove the Basket (1) and set to the side.



## 4


Apply Plumber's Putty to the underside lip of the Top Body. Insert Top Body into the sink from above.




### NEED HELP?

For additional assistance or service please contact:

**SPEAKMAN®**

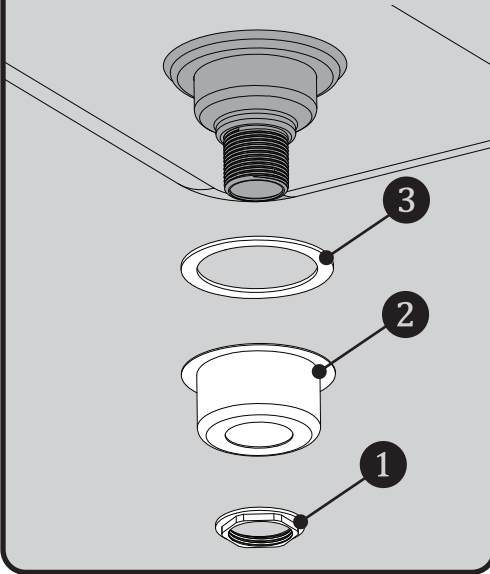
 800-537-2107

 [customerservice@speakman.com](mailto:customerservice@speakman.com)

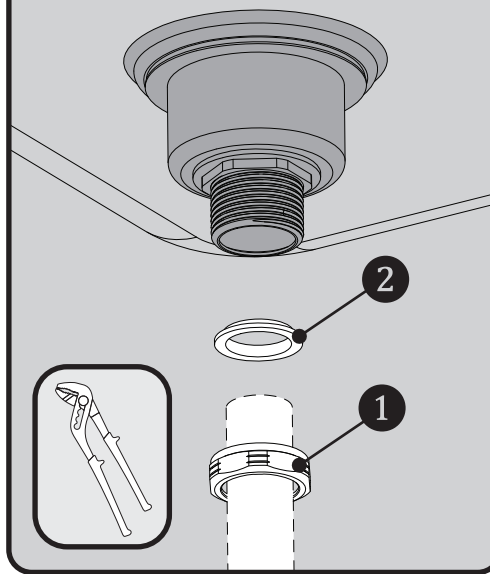
 [www.speakman.com](http://www.speakman.com)

92-S-3471-01

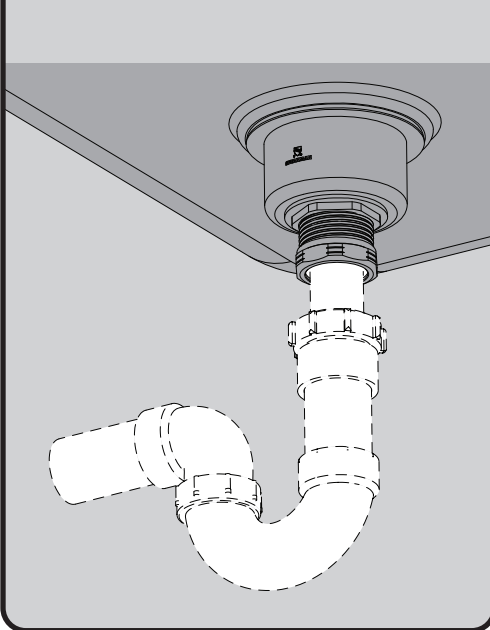
**5** From below, install Gasket (3), Bottom Body (2), and secure with Lock Nut (1). Tighten with Slip Joint Pliers. Take care to not over-tighten connection.



**6** Install the Rubber Sealing Gasket (2) and Drain Pipe Tailpiece (not included). Secure with the Slip Joint Nut (1). Wrench tighten with Slip Joint Wrench.



**7** Assemble all remaining Drain Connections (not included) and tighten all connections.



## S-3471 ROUGH-IN DIAGRAM

**SPEAKMAN®**

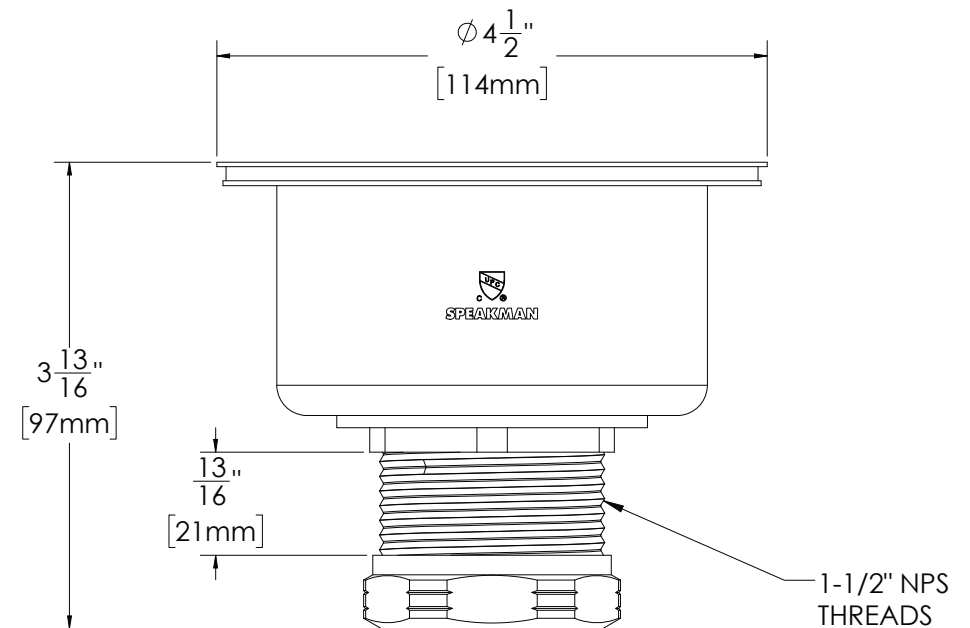
### NOTES:

#### COMPLIANCE:

ASME A112.18.2/CSA B125.2

#### CONNECTIONS:

- Outlets: 1" Drain Pipe (not included)



DIMENSIONS SUBJECT TO CHANGE WITHOUT NOTICE.